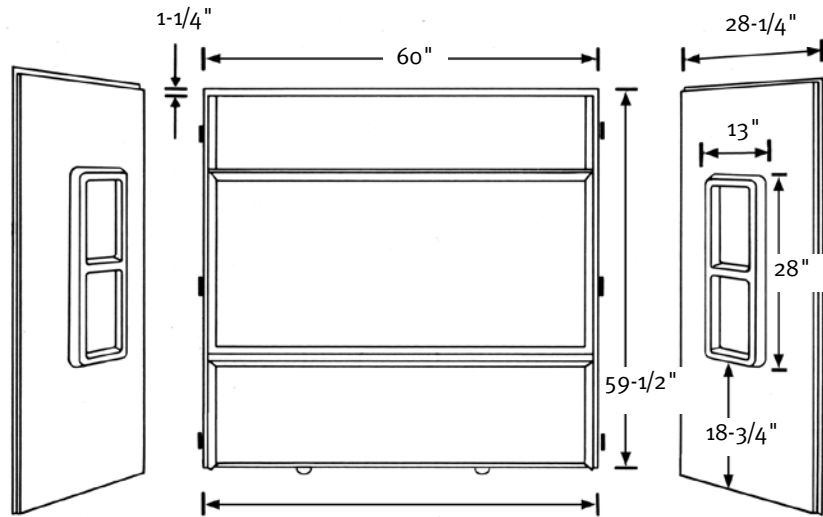


**Manufactured from Veritek®**  
(see page 2 for detailed information)

**WARRANTY**  
Limited Lifetime – Residential  
Limited 5-year – Commercial

**FEATURES**

- Nails directly to studs for fast installation
- Sturdy interlocking system for one-piece appearance
- Panels easily fit through existing doorways and can be installed by one person
- Made of Veritek with no surface coating to chip or crack
- The BA-3060 is a 3-piece compression molded composite material with molded-in color and a natural gloss surface



**BA-3060**  
Designed to fit tub area  
30" deep x 60" wide\* x 59-1/2" high (762 mm x 1524 mm x 1511 mm)  
Shower door opening size: 58-1/16" wide at tub ledge, 58" high

**SPECIFICATIONS**

**BA-3060 Veritek® Bath Alcove Walls**

Model	Part	Tub Area Designed To Fit	Ship Wt. Lb.	Ship UPS	Carton Dims. In.	Cu. Ft.
BA-3060	BA03060	30" D x 60" W* x 59-1/2" H (762 mm x 1524 mm x 1511 mm)	75	-	65 x 63 x 7	15.40

\*1-1/2" additional area required on outer edges of wall panels to accommodate nail-up flange.

Kit Includes: One right side panel, one left side panel, one back panel with six factory installed wall mounting clips, and complete installation instructions.

Packaging: Each kit is packed in a flat, rectangular carton.

**STANDARDS AND RATINGS**

Class B fire rating  
American National Standard Institute—ANSI Z124.1.2  
International Association of Plumbing and Mechanical Officials (IAPMO)—listed cUPC listed—Certified to CSA Standard B45 by IAPMO  
American Society for Testing and Materials  
National Electrical Manufacturers Association

**SUPPORT DOCUMENTS**

Installation instructions available on line at [www.swanstone.com](http://www.swanstone.com)

 **MADE IN USA.**

**COLORS**

(See inside back cover for color sample.)

- White (010)
- Bone (037)
- Bisque (018)
- Bermuda Sand (040)
- Gray Granite (042)
- Tahiti Desert (050)

**MAINTENANCE AND CLEANING INFORMATION**

Wash regularly with non-abrasive, liquid cleaners, a sponge, soft cloth or Mr. Clean Magic Eraser. For hard water stains or mineral build-up, scale removers such as Lime Away, Rust-out or Whink can be used. To protect the finish, fiberglass wax or automotive paste wax can be applied.

**Do not** use abrasive cleaners or pads.  
**Do not** use "leave on" cleaning products such as the Automatic Shower Cleaner. Prolonged contact with harsh chemicals could have an adverse reactive over time and discolor your surfaces. **Do not** use cleaning agents that caution use on acrylic, polyester or plastics.